



# INSTALLATION INSTRUCTIONS

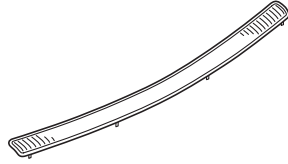
Accessory  
**REAR BUMPER PROTECTOR**  
P/N 08P01-TZ5-200

Application  
**2016 MDX**

Publications No.  
**VERSION 1**  
Issue Date  
**JAN 2015**

## PARTS LIST

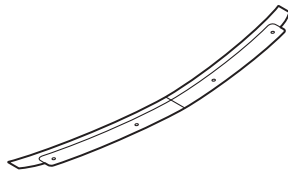
Rear bumper protector



Alcohol swab



Template



4 Clip holders



## TOOLS AND SUPPLIES REQUIRED

Ratchet

19 mm Socket

Masking tape

Pushpin

Ruler

Drill

Tape

3 mm, 6 mm, 8 mm, and 10 mm Drill bits

File

Needle nose pliers

Eye protection (face shield, safety goggles, etc.)

*The following tools are available through the Honda Tool and Equipment Program. On the iN, click on: Service > Service Bay > Tool and Equipment Program, then enter the number under "Search". Or, call 888-424-6857.*

- Rubber Roller (T/N MHLE54D)
- Trim Tool Set (T/N SOJATP2014)

## INSTALLATION

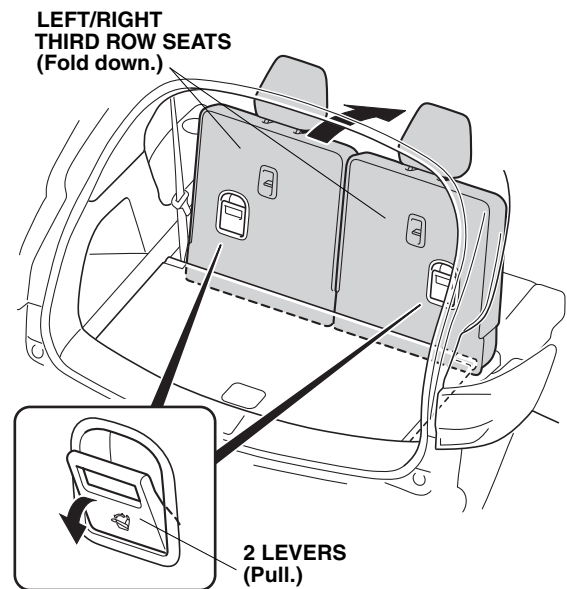
**Client Information:** The information in this installation instruction is intended for use only by skilled technicians who have the proper tools, equipment, and training to correctly and safely add equipment to your vehicle. These procedures should not be attempted by "do-it-yourselfers."

### NOTE:

- Do not to damage the paint finish.
- This rear bumper protector kit should be installed only if the ambient air temperature is 15°C (60°F) or above.
- To allow the adhesive to cure, do not wash the vehicle for 24 hours. Please advise the client.

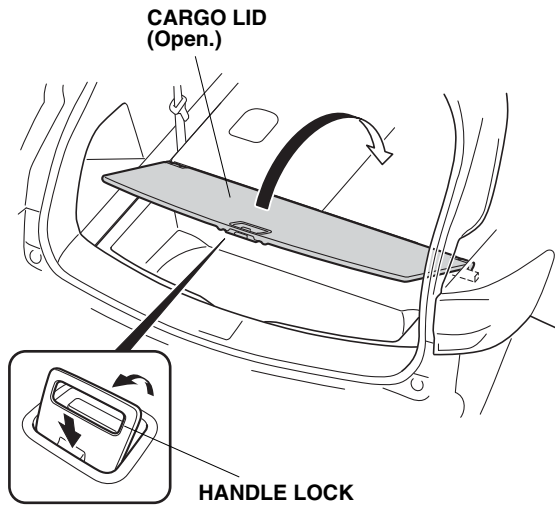
If the vehicle is equipped with a spare tire, continue with step 1; otherwise go to step 5.

1. Pull each lever, and fold down the left and right third row seats.



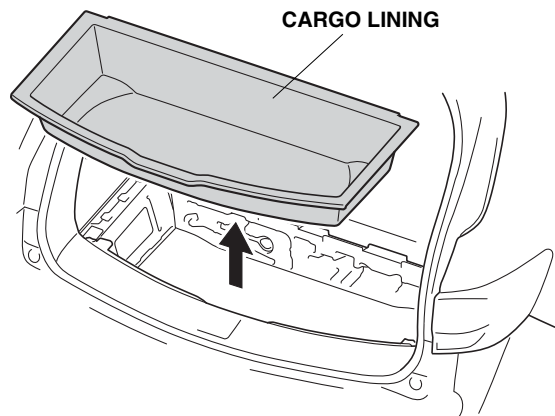
QB01910AH

2. Open the cargo lid.



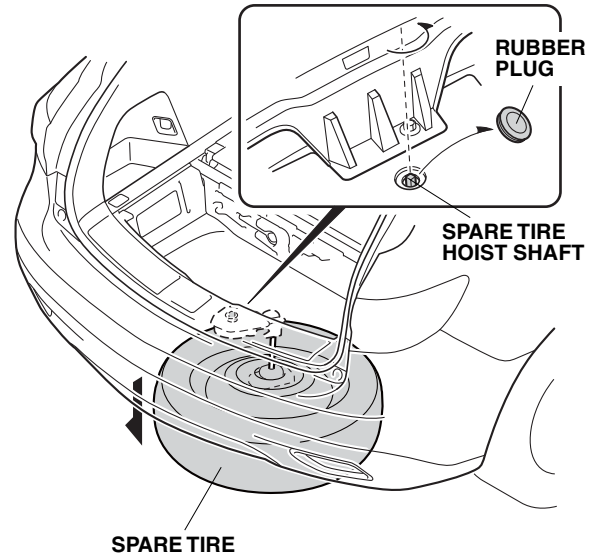
QBN0702AH

3. Remove the cargo lining.



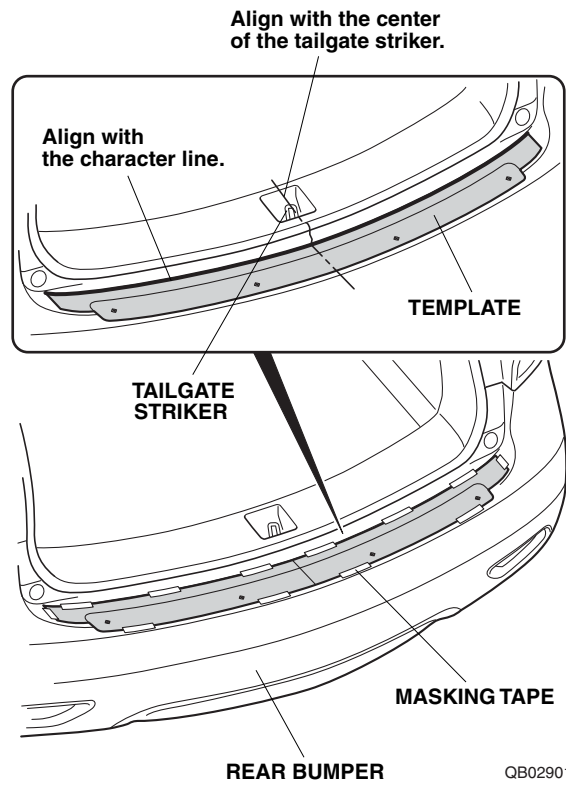
QB01913AH

4. Locate and remove the rubber plug to access the spare tire hoist shaft. Lower the spare tire completely.



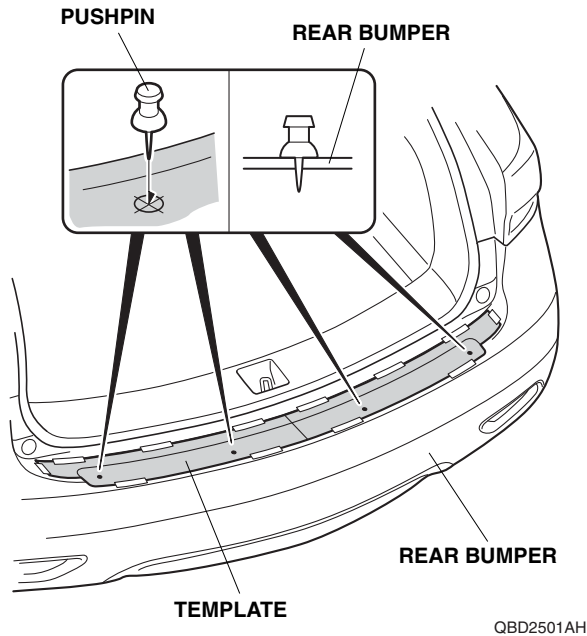
QBN0704AH

5. Attach the template to the rear bumper with masking tape in the area shown.



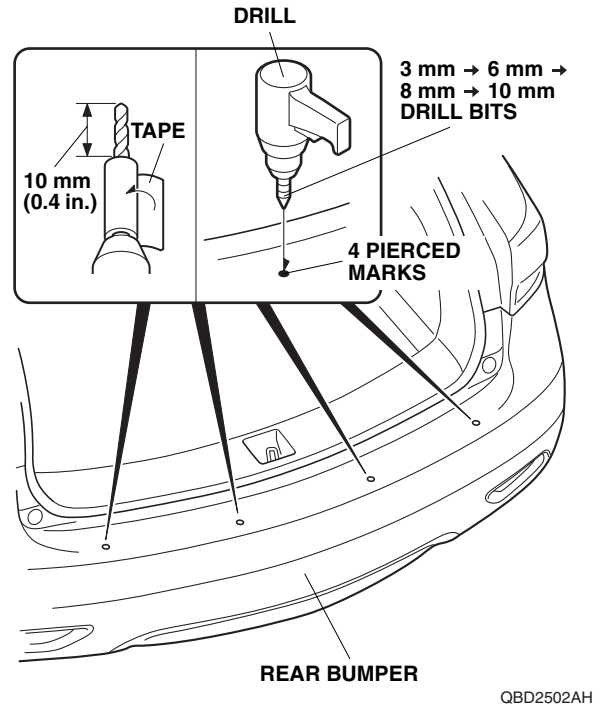
QB02901BH

6. Using a pushpin, pierce four marks through the template as shown.

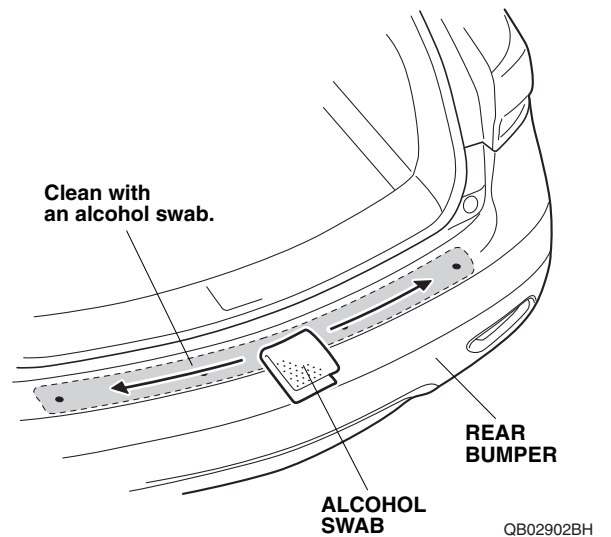


7. Remove the template.

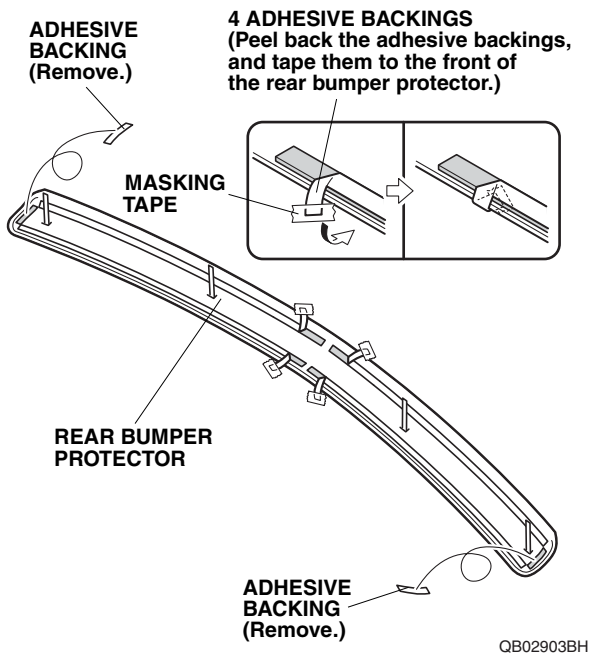
8. While wearing eye protection, drill four pierced marks to 10 mm.
- Wrap tape around each drill bit 10 mm (0.4 in.) away from the tip or use a drill stop.
  - First drill with a 3 mm drill bit, and then with a 6 mm drill bit, with an 8 mm drill bit, and finish with a 10 mm drill bit.
  - Remove all burrs.



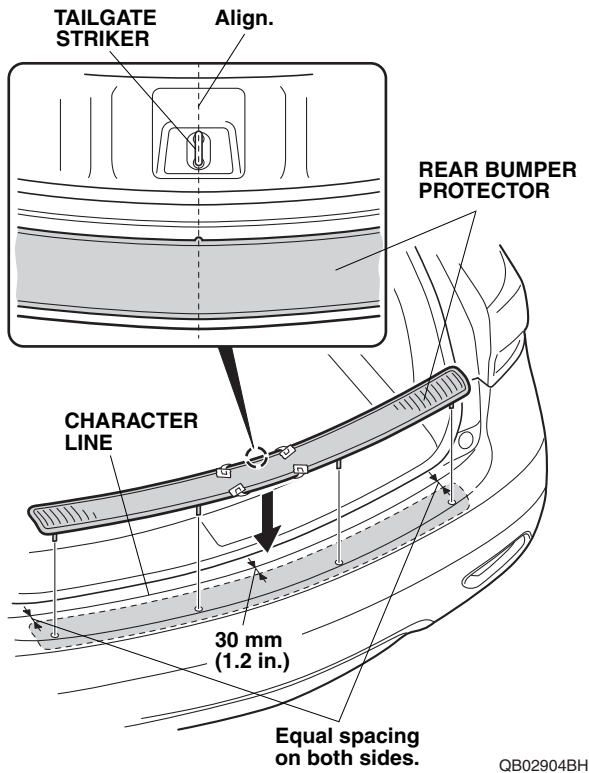
9. Using an alcohol swab, thoroughly clean the area where the rear bumper protector will attach.



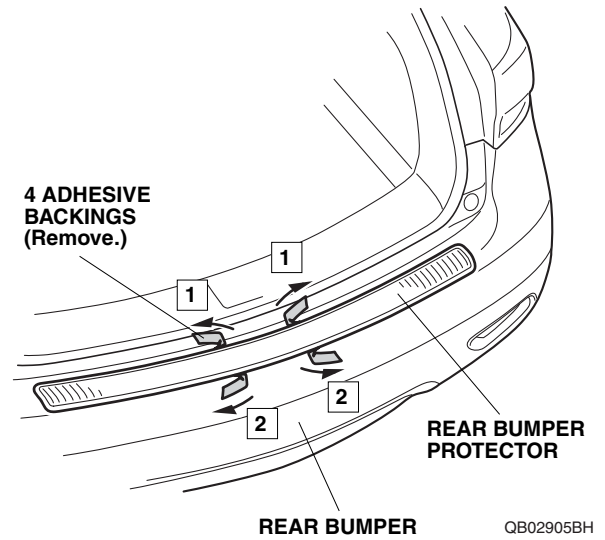
10. Peel back the adhesive backing from each adhesive strip, and tape the ends to the front surface of the rear bumper protector. Remove the small pieces of the adhesive backing.



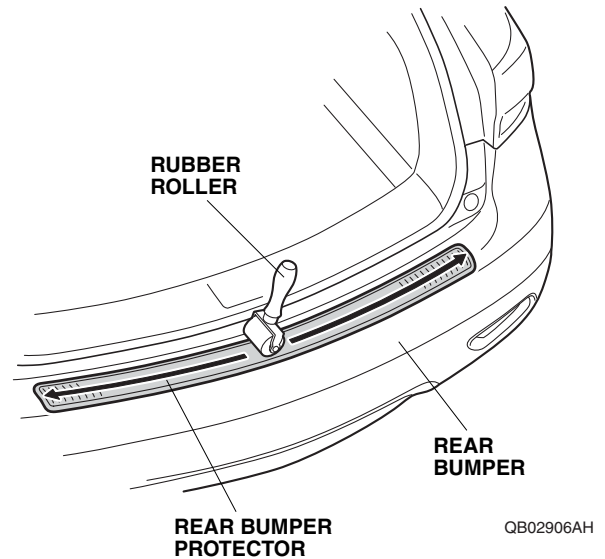
11. Align the rear bumper protector to the rear bumper as shown, and attach it to the rear bumper as shown.



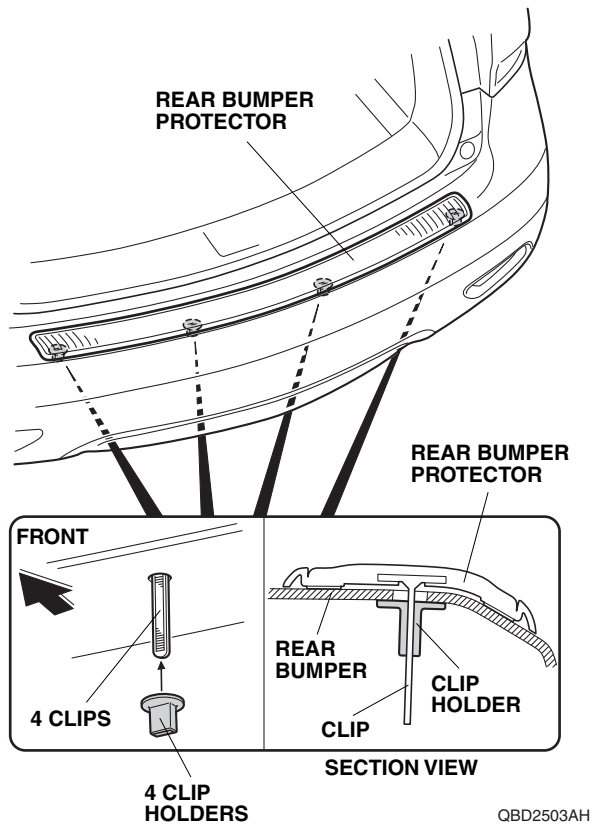
12. While applying light pressure against the rear bumper protector, carefully remove the adhesive backings in the order as shown.



13. Using a rubber roller, apply firm pressure to the rear bumper protector, especially at the ends, as shown.



14. Secure the rear bumper protector to the rear bumper with the four clip holders.
- NOTE: Some clips can be installed using needle nose pliers if the clip is difficult to reach. Be sure to adjust force when using needle nose pliers.



15. Reinstall the all removed parts.